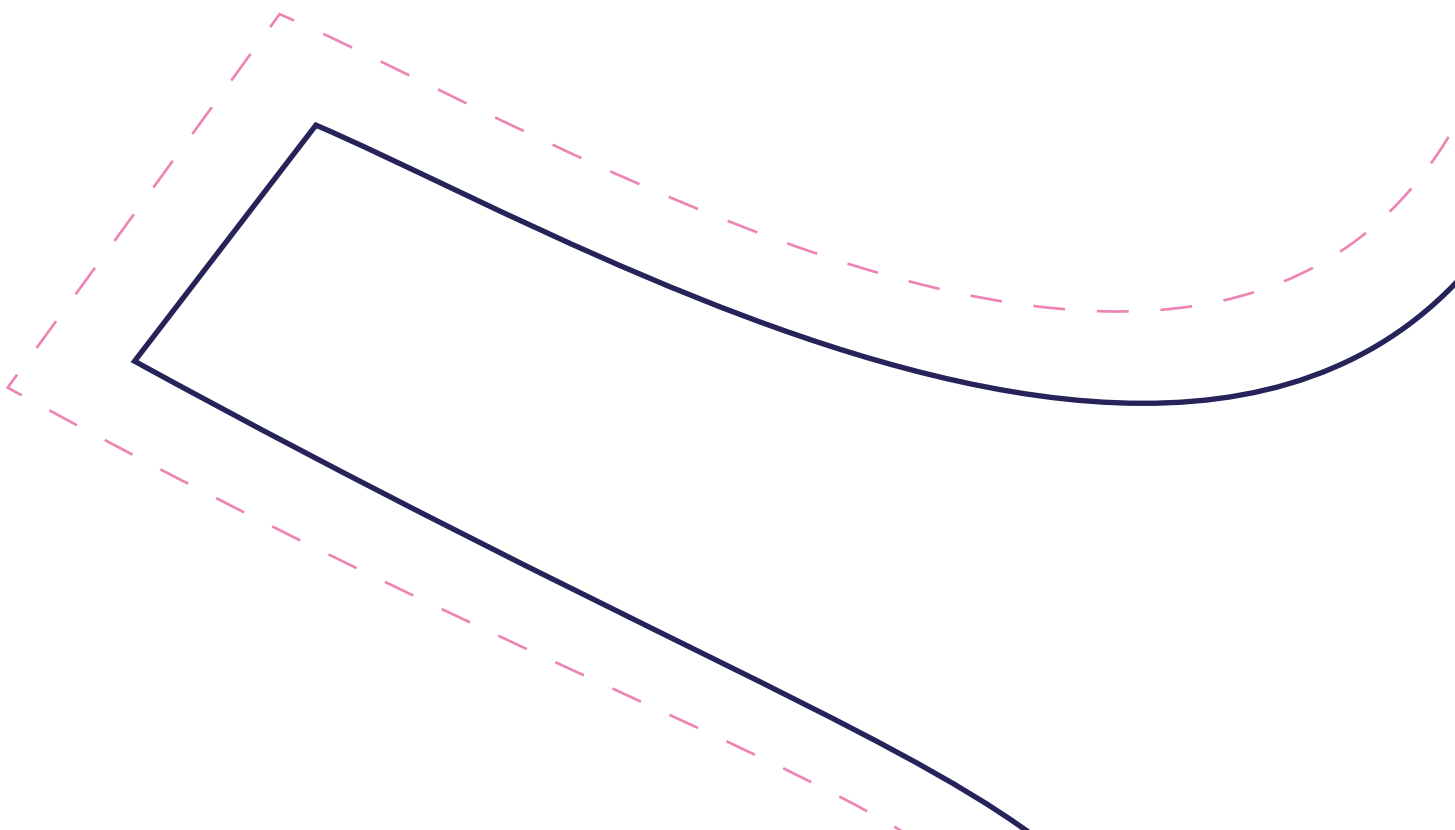
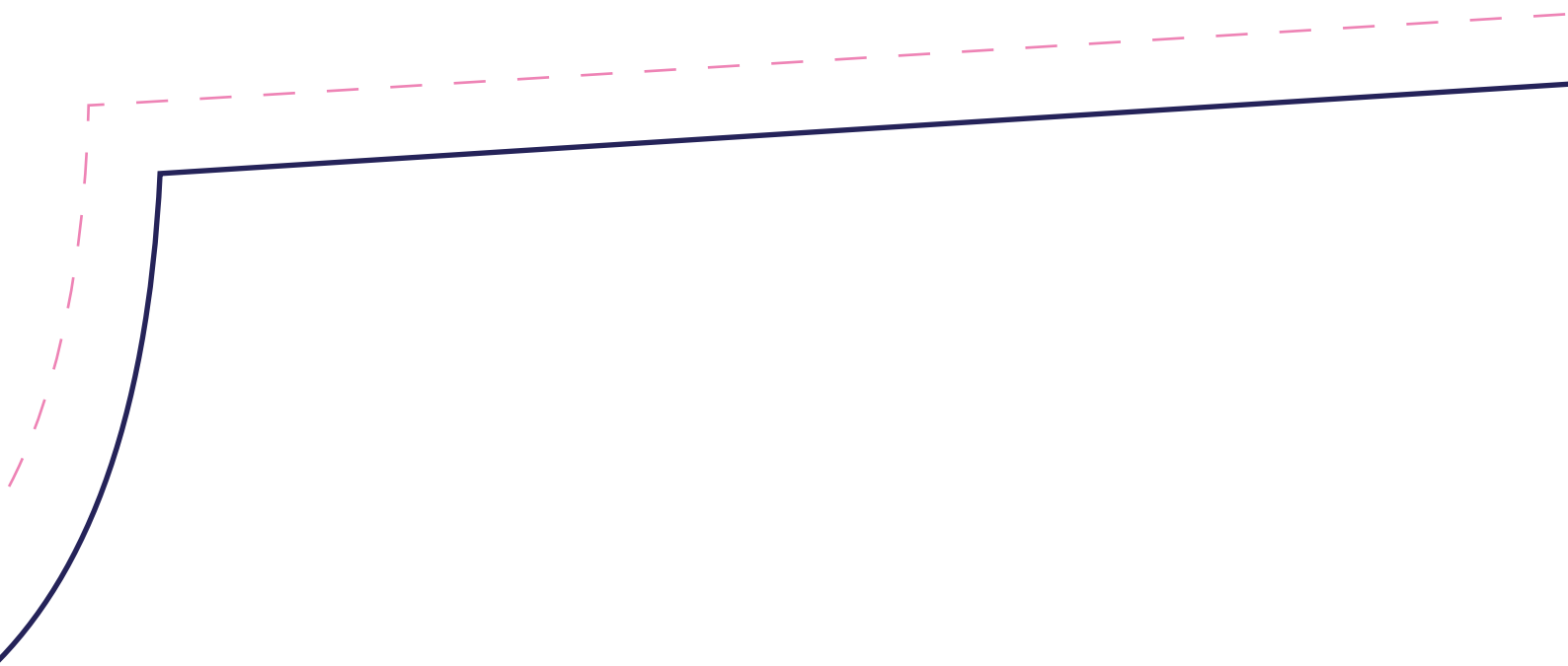


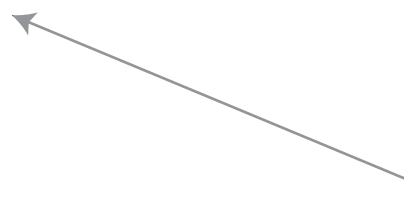
Flip Tunic by Super
Free for personal use. No c
www.superminx.com



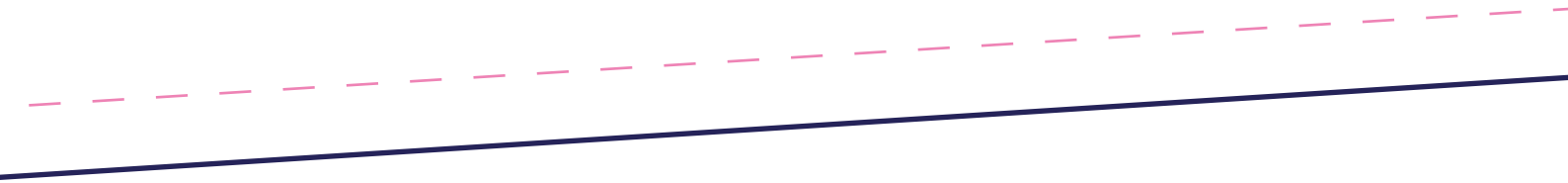
erMinx - © 2015 Andi M
overlap included on page tiles



Flip Tunic
[front]



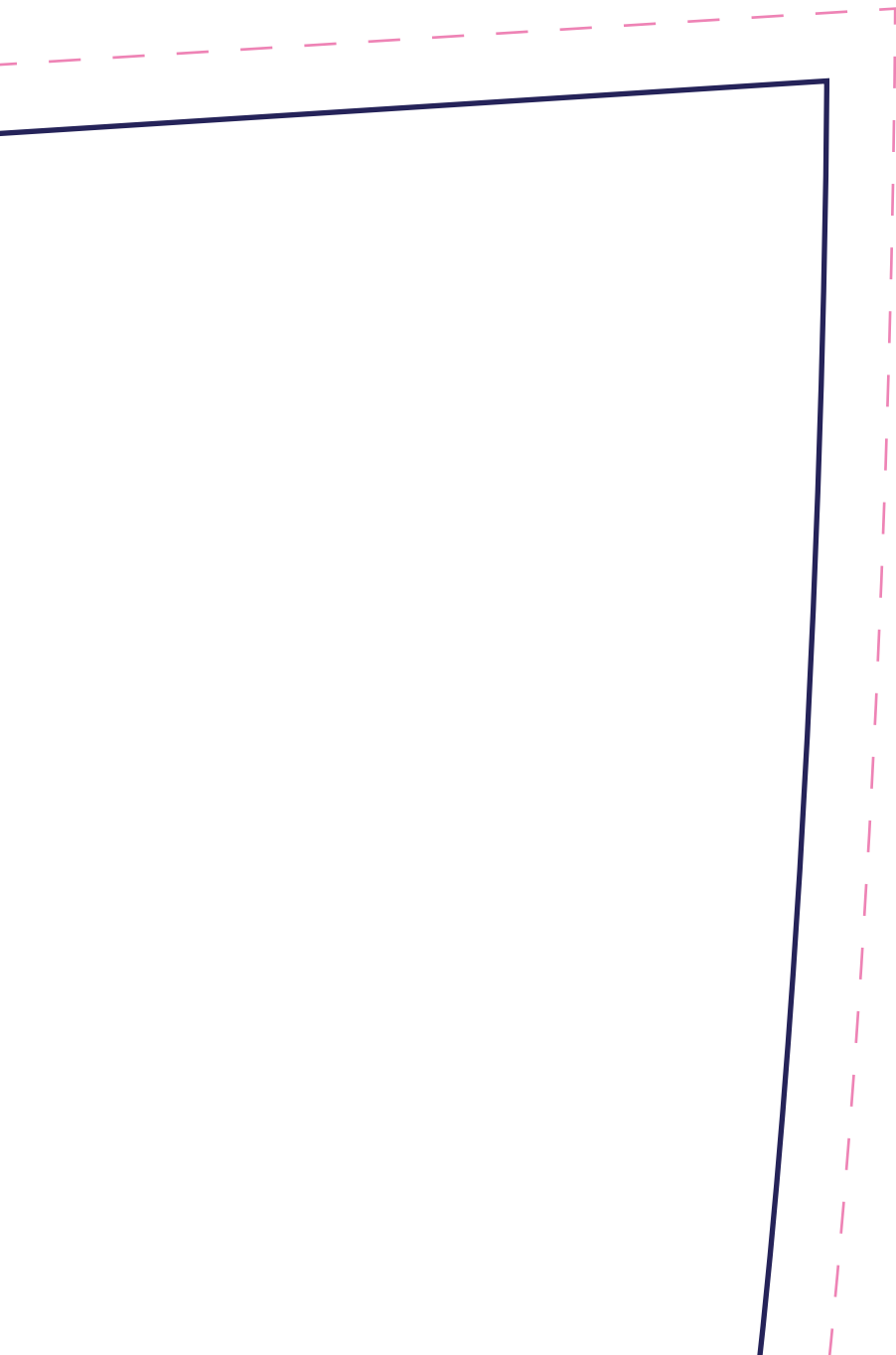
orton (21-07-15)

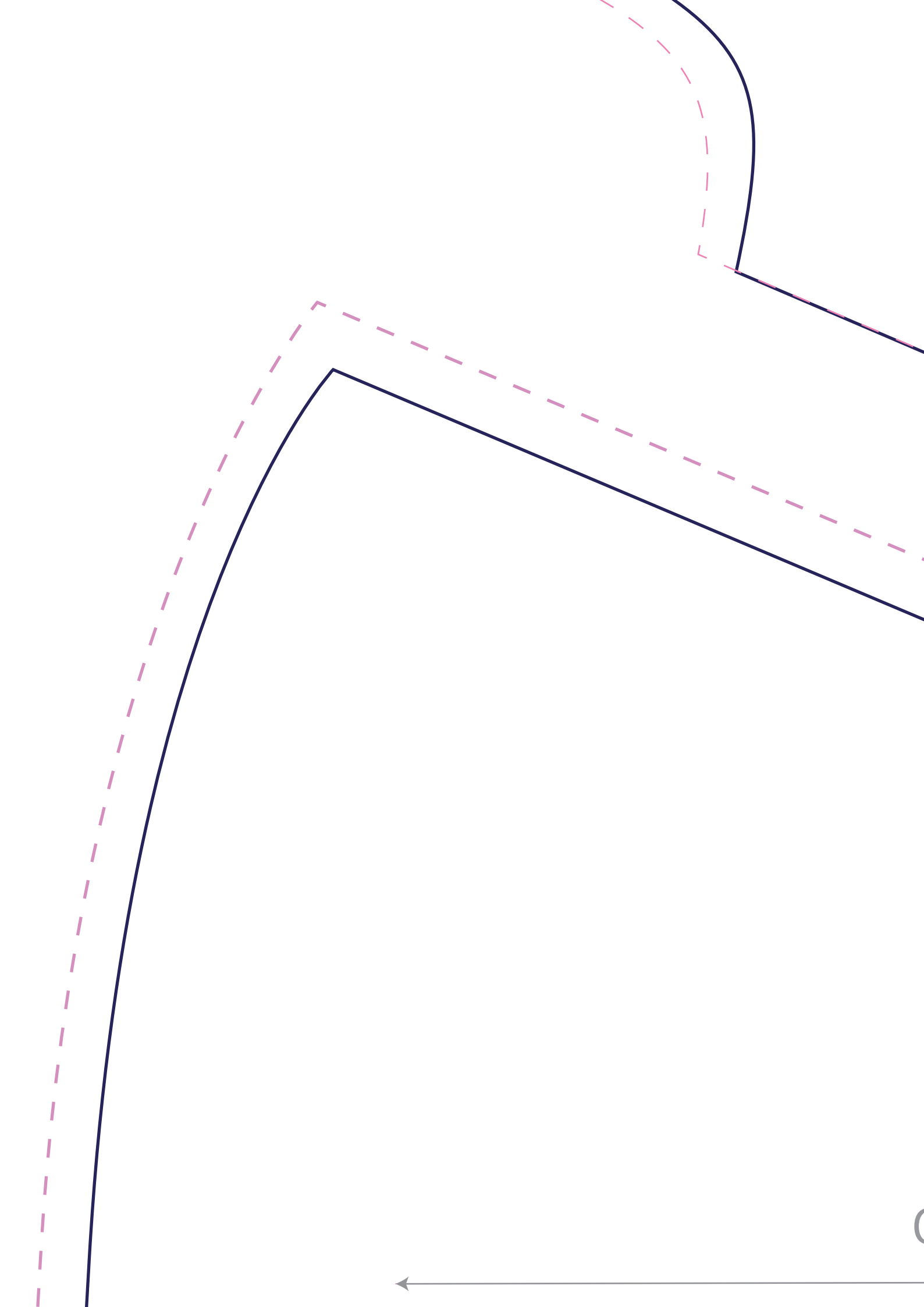


10 cm

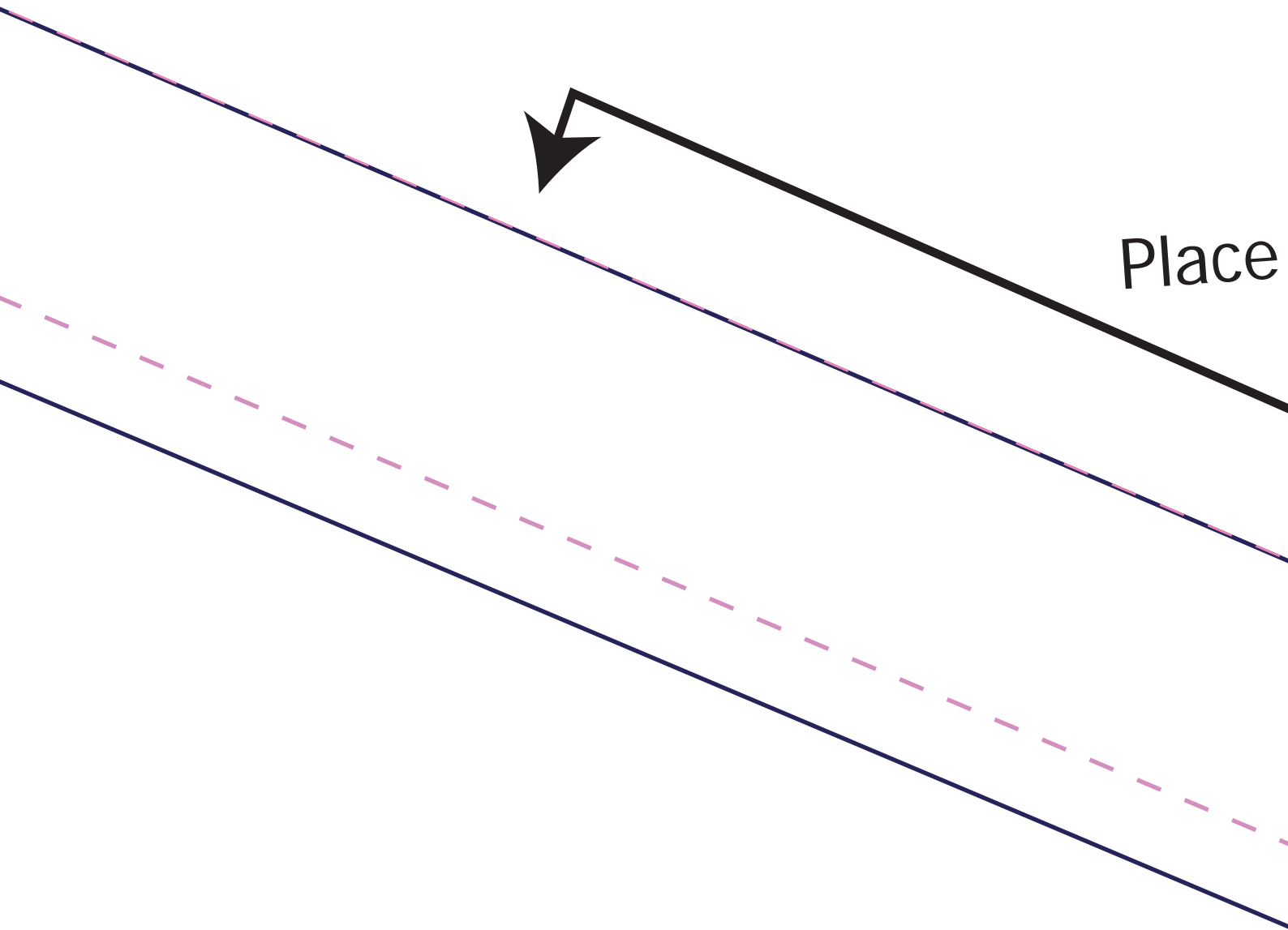


5 inches





cut 1 on fold



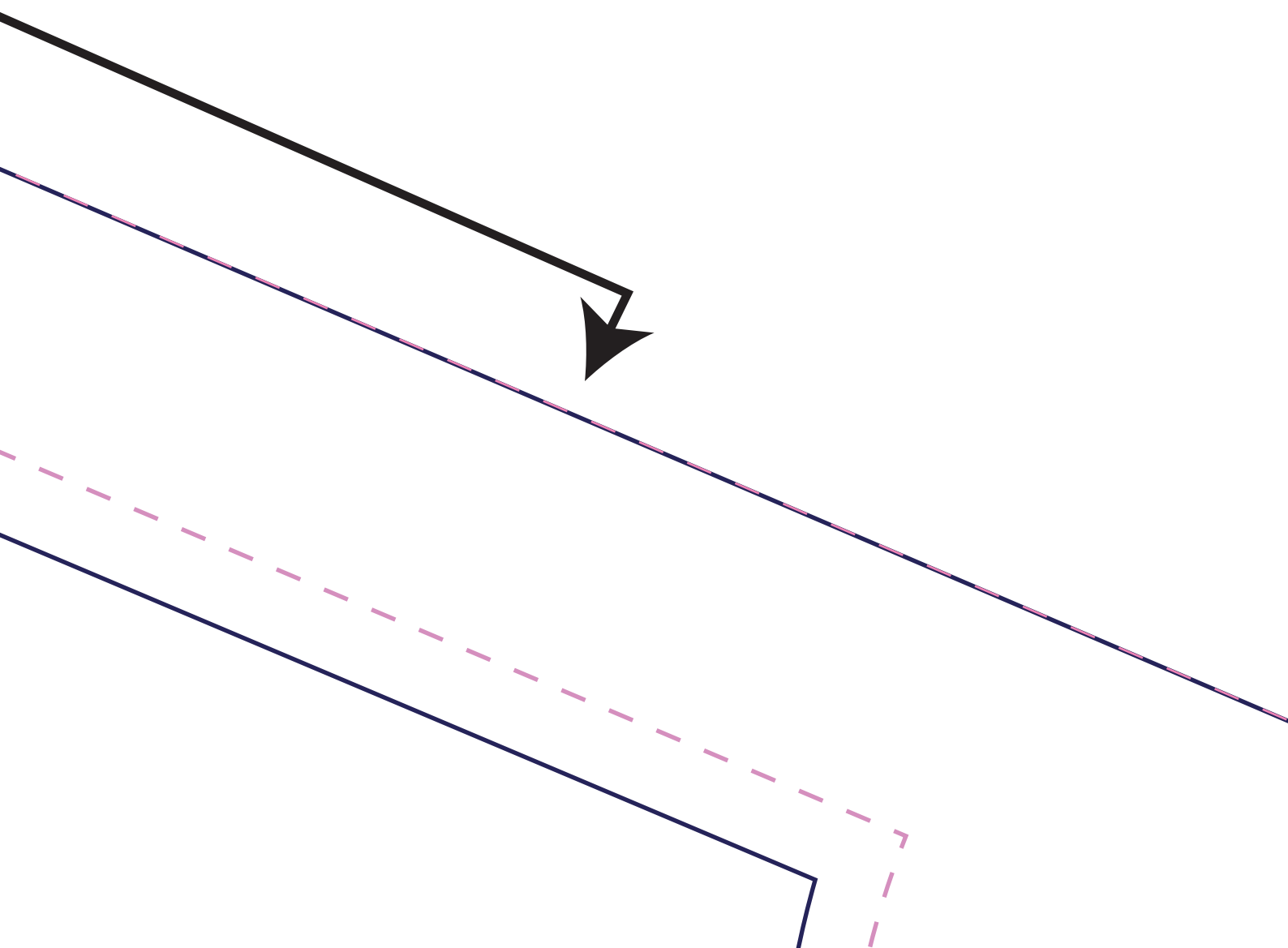
Place

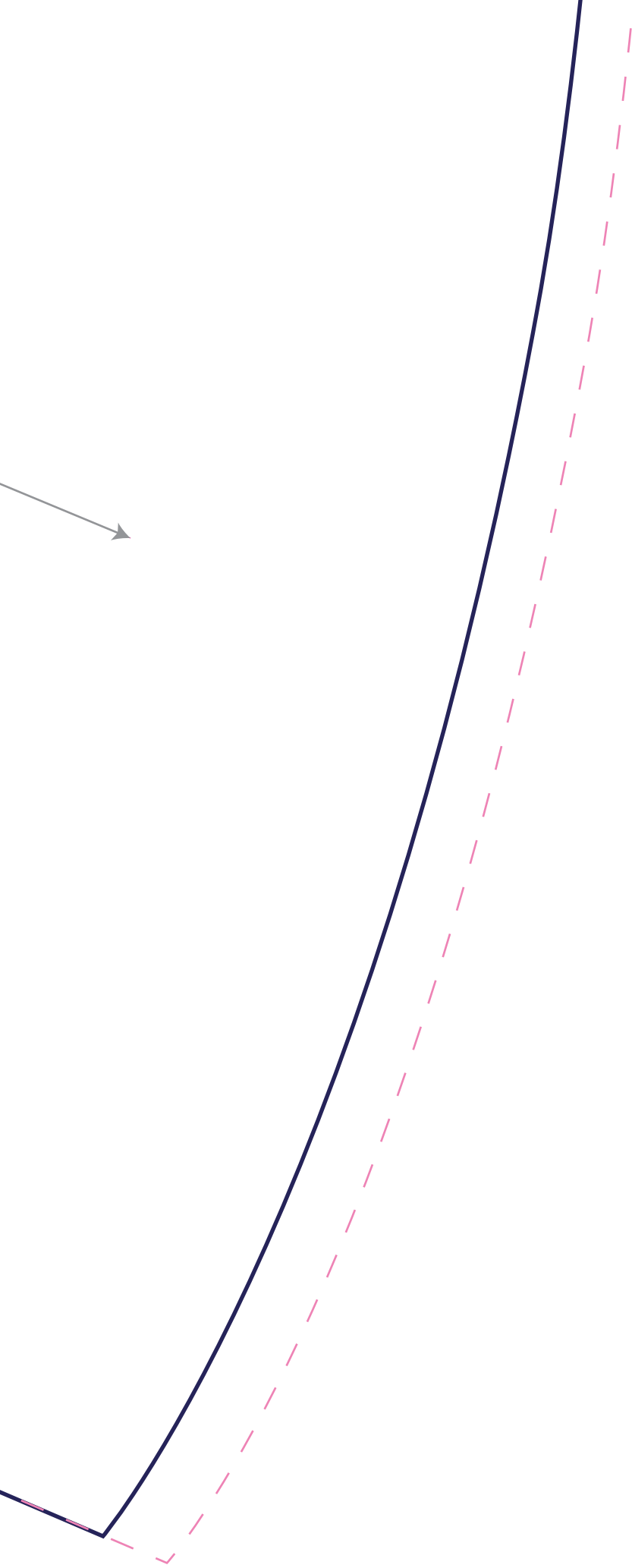
Grain

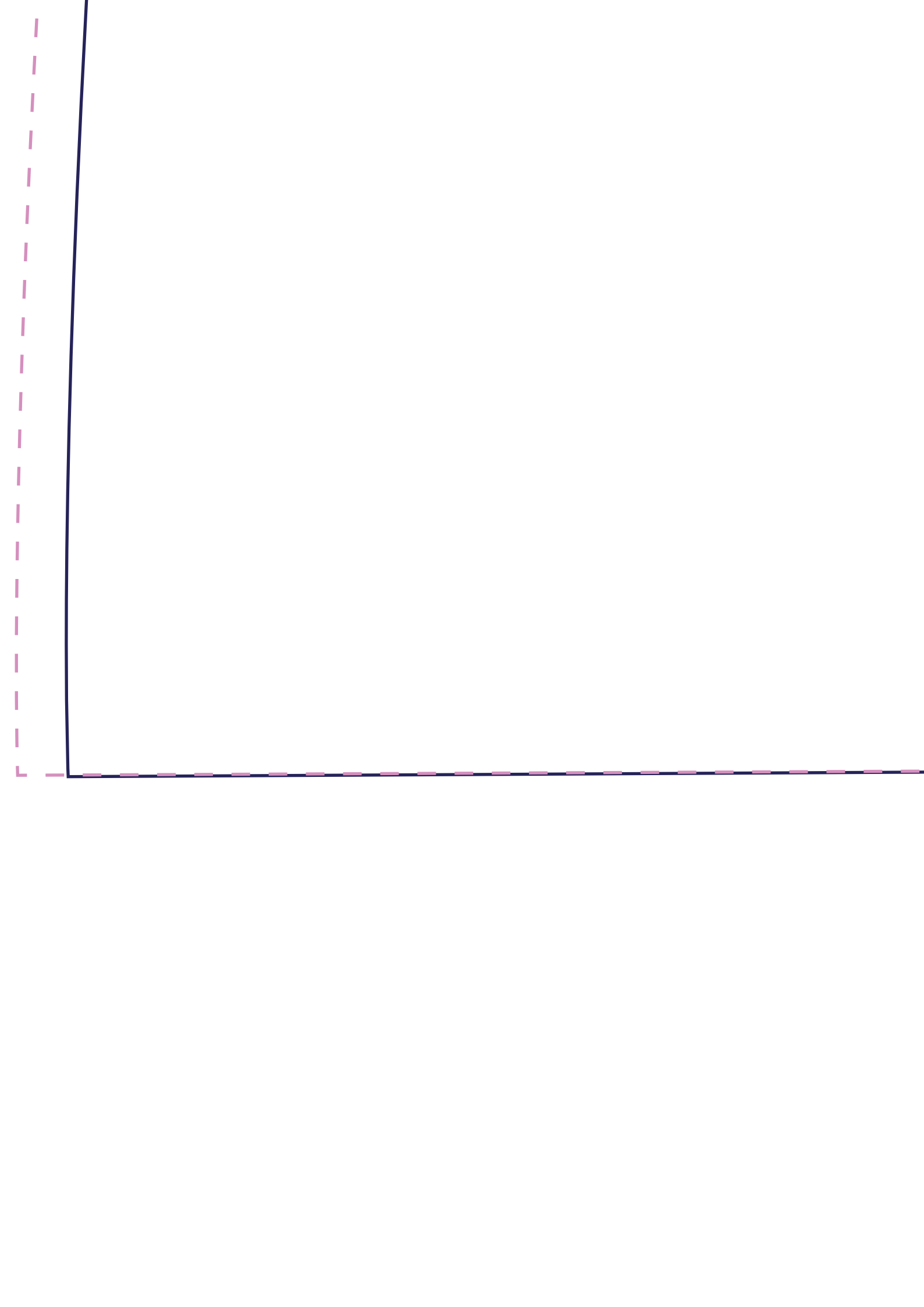


Grain

on Fold







Flip Tunic [back]

cut 1 on fol



INSTRUCTIONS

Cut pieces from

tunic, add inch

Sew shoulder

Sew side seam

Overlock all se

Fold over neck

d



ONS

from fabric on pink line (dotted) - to make a longer
lines to the bottom as desired.

seams

ns

seams, neckline, armholes and hem

line, armholes and hem and sew

